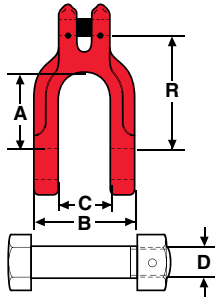


# Crosby® Kuplex®

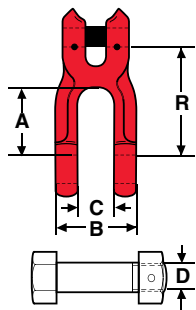
## Components



### Crosby KUPLEX Shackle KDL

Has a wide jaw and attaches directly to the chain. Complete with bolt, hexagon nut and cotter pin.

Crosby Stock No.	Reference	WLL (t)		Dimensions (mm)					Weight (kg)
		8	8+10	A	B	C	R	D	
2781314	KDL7N	1.5	2	48	65	35	71	19	.71
2781323	KDL10N	3.2	4	74	83	44	104	22	1.36
2781332	KDL13N	5.3	6.7	98	109	57	136	29	3.02
2781341	KDL16N	8	10	122	140	73	173	35	6.18
2781350	KDL19N	11.2	14	145	162	86	203	44	10.62



### Crosby KUPLEX Narrow Jaw Shackle KDN

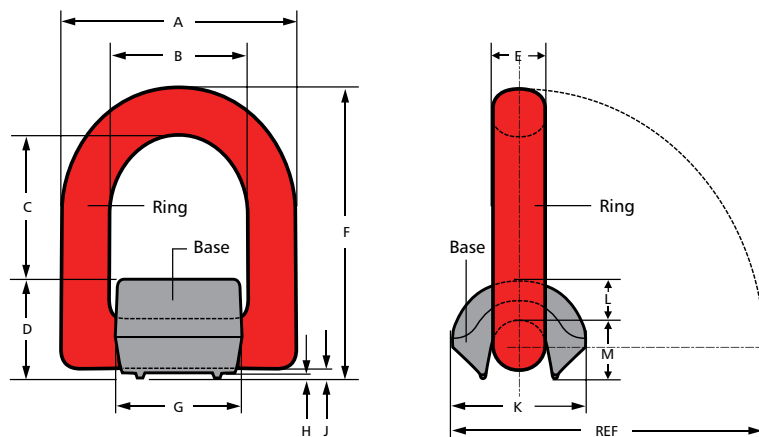
Similar to KDL series, but for applications calling for a narrower jaw.

Crosby Stock No.	Reference	WLL (t)		Dimensions (mm)					Weight (kg)
		8	8+10	A	B	C	R	D	
2781369	KDN7N	1.5	2	36	42	20	57	14	.26
2781378	KDN10N	3.2	4	53	58	28	83	20	.85
2781387	KDN13N	5.3	6.7	72	74	35	106	24	1.68
2781396	KDN16N	8	10	83	90	44	127	30	3.14



### Crosby KUPLEX KWLR Weldable Lifting Ring

A weldable lifting ring, fully compatible with the relevant sized Kuplex 8+10 components.



Crosby Stock No.	Reference	Ring					Base mm								Weight (kg) (Ring + Base)	To Suit Normal Chain Size (mm)
		A	B	C	R	D	F	G	H	J	K	L	M	Ref		
2781403	KWLR7 (2t)	60	37	39.5	26	13	77	33	2	4	32	10	16	83	.31	7
2781412	KWLR10 (4t)	87	51	51	35	18	103	46	2	4	45	12	22	113	.83	10
2781430	KWLR13 (6.7t)	109	67	74	44	23	139	60	2	4	60	18	26	154	1.82	13
2781449	KWLR16 (10t)	117	67	68	54	27	147	60	2	4	75	23.5	30	167	2.75	16
2781458	KWLR23 (21t)	168	100	103	70	36	207	90	3	7	94	29	41	230	6.95	23

Welding advice leaflets are available on request.